

PN: SRL221311



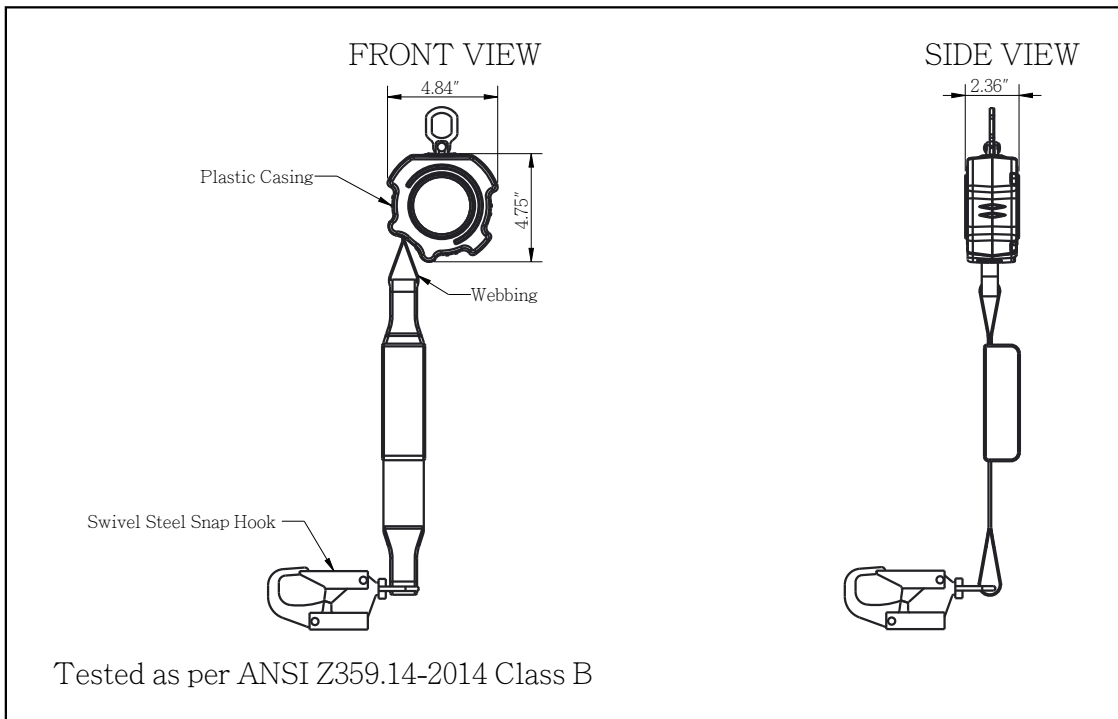
• Fall Protection • Competent Training • Netting • PPE

Phone: (504) 733-1808
Fax: (504) 733-2996
PalmerSafetyUS.com

TECHNICAL SPECIFICATIONS

SRL 8' Lightweight Web with Small Hook

8ft. Retractable web, plastic housing, 3/4" load indicator hook, 1/2" carabiner included. Blue housing. Min breaking strength 3000 lbs. Meets or Exceeds ANSI Z359.14-2014 Class B.



- PHYSICAL PARAMETERS:**
- Lightest available SRL in its range/class
 - Robust & durable plastic casting
 - Technora Webbing with Energy absorber
 - Swivel steel double locking snap hook at attachment end

APPLICATIONS: An overhead anchor point should always be used when available. When an overhead anchor point is unavailable, the recommended anchor point should be no greater than 2' below the dorsal D-ring. When the available anchor point is greater than 2' below the dorsal D-ring, a Palmer Safety Leading Edge SRL should be used.

LENGTH: 8 ft. (Maximum)

WEBBING: Material: Technora webbing 13/16"
Minimum Breaking Strength: 4500 lbs.